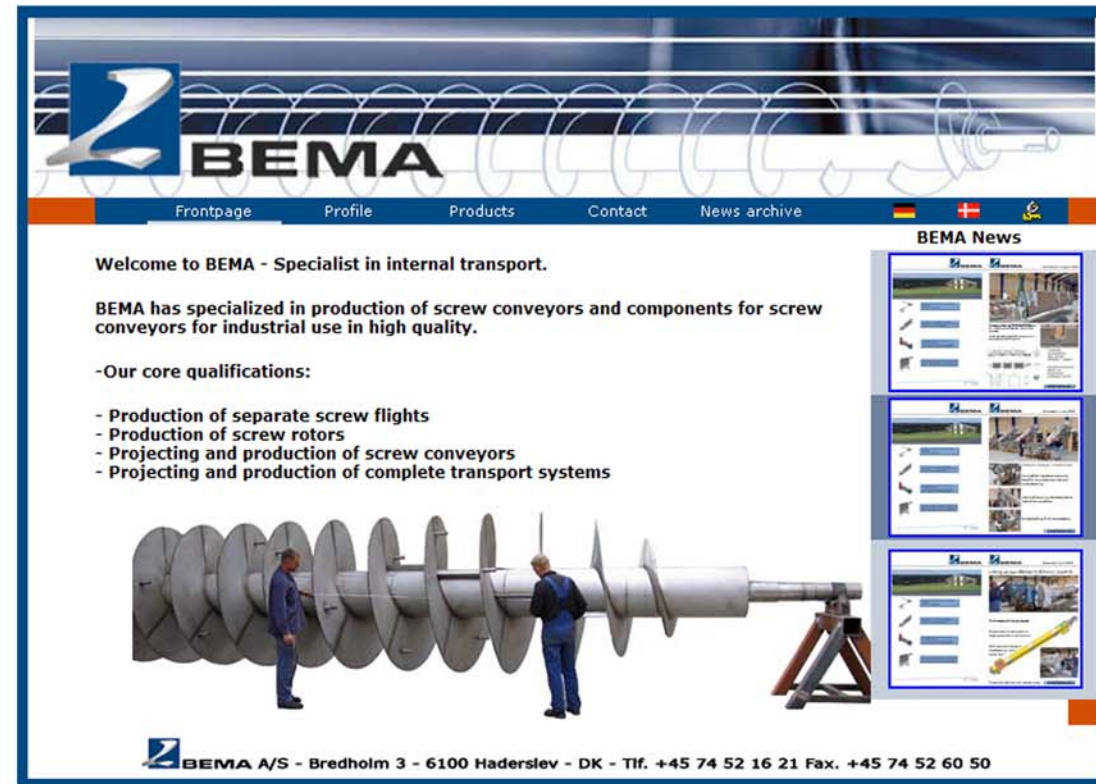


## New improved web site



On our web site you can still view our products,

- Screw flights
- Screw rotors
- Screw conveyors

Inquiries can be sent from each product area.

The web site is extended to include a base of examples of different industries/branches. The base will be updated regularly, and is meant to be a source of inspiration for the development and use of screw conveyors.

On the back of this newsletter you can see which industries are currently included in the database.

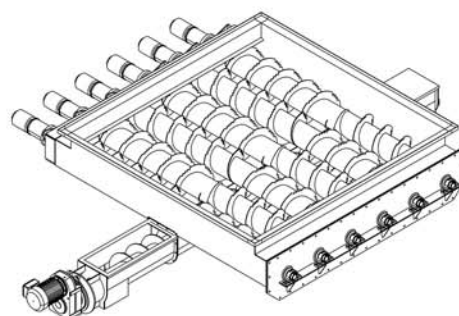
View products and examples at:

[www.bema.as](http://www.bema.as)

## Screw bottom with collector screw



For production of ice flakes. Consisting of 6 pcs. Ø455mm screws and 1 pcs. collectingscrew across the bottom. Bottom size 2900x3000mm. Complete delivery in AISI304, incl. gearmotors.

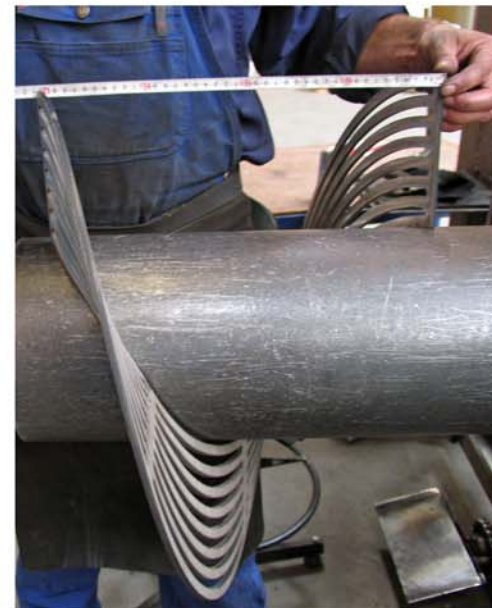


## Production of screwrotors:



Produced by drawing or in cooperation with our sales department.

## Screw flights / segments



By order / inquiry

State:

- outer diameter
- inner diameter
- pitch
- thickness of material
- material
- number of flights

All flights:

- pressed cold
- check of measures
- test of shape

